

2IGX1610

# LED CANOPY LIGHT - LEGACY™ DOUBLE DECK (CRU - DDM)



For Use on Water-tight Plenum Canopies

US & Int'l. patents pending.

## SMARTTEC™ ENERGY SAVING FEATURES

**THERMAL CONTROL** - LSI drivers feature integral sensor which reduces drive current, when ambient temperatures exceeds rated temperature.

**HOUSING** - Low profile, durable die-cast, aluminum construction, providing a reliable weather-tight seal.

**LEDS** - Features an array of select, mid-power, high brightness, high efficiency LED chips; 5000K color temperature, 70 CRI (nominal).

**DRIVE CURRENT** - Choice of High Output (HO) or Very High Output (VHO).

**OPTICS / DISTRIBUTION** - Symmetrical, which directs light through a clear tempered glass lens, to provide a uniform distribution of light to vertical and horizontal surfaces.

**OPTICAL UNIT** - Features an ultra-slim 3/4" profile die cast housing, with a standard flat glass lens. Unit is water-resistant, sealed to an IP67 rating. Integral designed heat sink does not trap dirt and grime, ensuring cool running performance over the life of the fixture.

**PRESSURE STABILIZING VENT** - Luminaire assembly incorporates a pressure stabilizing vent breather to prevent seal fatigue and failure.

**HAZARDOUS LOCATION** - Designed for lighter than air fuel applications. Product is suitable for Domestic Class 1 Division 2, only when properly installed per LSI installation instructions.

**DRIVER** - State-of-the-art driver technology superior energy-efficiency and optimum light output. LSI driver components are fully encased in potting for IP65 moisture resistance. Complies with IEC and FCC standards. Surge protected at 10KV.

**DRIVER HOUSING** - Die cast aluminum, wet location rated driver/electrical enclosure is elevated above canopy deck to prevent water entry, provide easy "knock-out" connection of primary wiring and contributes to attaining the lowest operating temperatures available. Seals to optical housing via one-piece molded silicone gasket.

**OPERATING TEMPERATURE** - -40°C to 50°C (-40°F to +122°F)

**ELECTRICAL** - Universal voltage power supply, 120-277 VAC, 50/60 HZ input. LSI drivers feature two-stage surge protection (including separate surge protection built into electronic driver) meets IEEE C62.41.2-2002, Scenario 1, Location Category C.

**FINISH** - Standard color is white and is finished with LSI's DuraGrip polyester powder coat process. DuraGrip withstands extreme weather changes without cracking or peeling.

**INSTALLATION** - One person installation. No additional sealant required. Installs in a 12" or 16" deck pan. Deck penetration consists of a 15" square hole. Fixture is secured via 4 fasteners directly through frame and deck into structure members/beams.

### Accessory Mounting Options:

**CRU FKL Kit** - Deck penetration consists of a 23 1/4" square hole. Fixture is secured to deck via 4 fasteners directly through frame into structure members/beams, or via suspension cables supplied by others.

**CRU UDD Kit** - Deck penetration consists of a 13" square hole. Mounting plate is secured to deck via 6 fasteners through deck or threaded rods into structure members/beams. Fixture is secured to mounting plate via 2 bracket legs and 4 screws.

**SHIPPING WEIGHT** - 25 pounds.

**EXPECTED LIFE** - Minimum 60,000 to 100,000 hours depending upon the ambient temperature of the installation location. See LSI web site for specific guidance.

**WARRANTY** - Limited 5-year warranty.

**LISTING** - UL and ETL listed to UL 1598, UL 8750 and other U.S. and International safety standards. Suitable for damp locations.

**PHOTOMETRICS** - Applications layouts are available upon request. Contact LSI Petroleum Lighting or petroleum.apps@lsi-industries.com.

**Class 1, Division 2** – Standard on HO only

**T5 Temperature Classification** – The surface temperature of this product will not rise above 100°C., within a 40°C ambient.

**Gas Groups A,B,C, and D** – Group A: Acetylene / Group B: Hydrogen / Group C: Propane and Ethylene / Group D: Benzene, Butane, Methane & Propane.

This product, or selected versions of this product, meet the standards listed below. Please consult factory for your specific requirements.



IP67



Project Name \_\_\_\_\_ Fixture Type \_\_\_\_\_  
Catalog # \_\_\_\_\_

08/05/14

© 2014  
LSI INDUSTRIES INC.

# LED CANOPY LIGHT - LEGACY™ DOUBLE DECK (CRU - DDM)



## LUMINAIRE ORDERING INFORMATION

TYPICAL ORDER EXAMPLE: **CRU DDM SC LED HO CW UE WHT**

Prefix	Distribution	Light Source	Drive Current	Color Temperature	Input Voltage	Finish
CRU DDM	SC - Standard Symmetric	LED	HO - High Output VHO - Very High Output	CW - Cool White	UE - Universal Voltage (120-277V)  347-347V <sup>1</sup>	WHT - White BRZ - Bronze BLK - Black

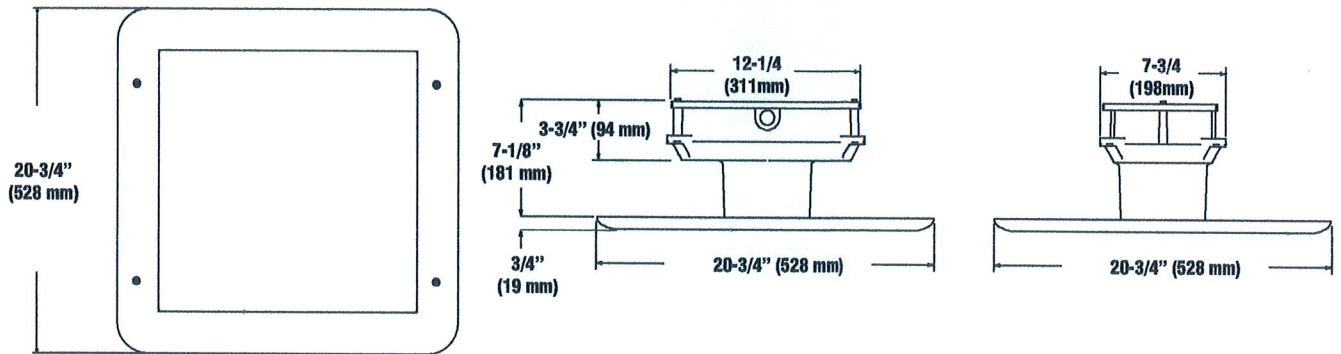
### FOOTNOTES:

1 - 347V only available in HO drive current.

### ACCESSORY ORDERING INFORMATION (Accessories are field installed)

Description	Order Number
CRU-FKL Flange Mounting Kit	537530WHT
CRU-UDD Universal Mounting Kit	532951WHT

## DIMENSIONS



LIGHT OUTPUT - CRU DDM				
		Lumens	Watts	LPW
Cool White	HO - High Output	19,630	150	131
	VHO - Very High Output	23,523	196	120



Project Name \_\_\_\_\_ Fixture Type \_\_\_\_\_  
 Catalog # \_\_\_\_\_

08/05/14  
 © 2014  
 LSI INDUSTRIES INC.